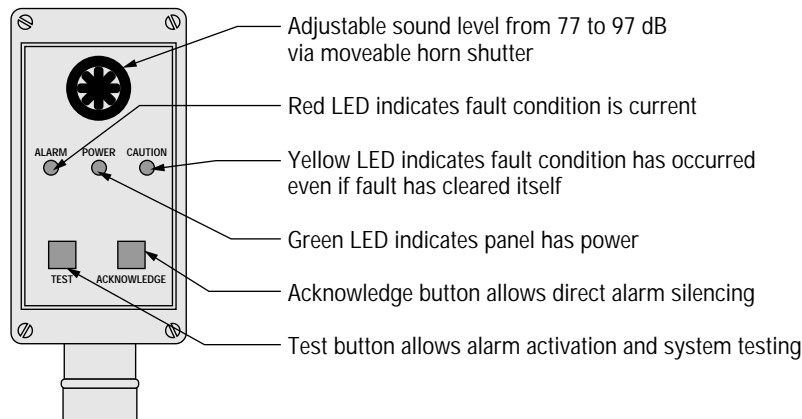


Remote Alarm Screams Warning @ 97 dB

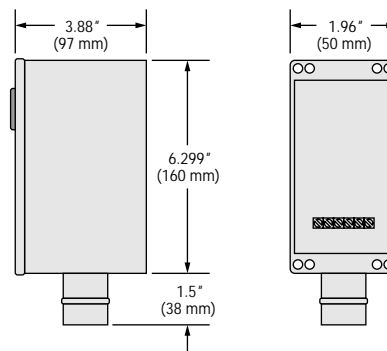
- ▶ AC or DC versions
- ▶ Team with Conductivity Probes in Section B or Reed Switch sensors in Sections A, G, and K

Our new solid state alarm panel is the best solution to your remote alarm needs. Packaged in a secure 3R rated enclosure, this alarm will interface with a variety of switching inputs for critical alerting situations. This cost-effective, solid state alarm panel offers many features not commonly found in controls of this type including:

- Interface with virtually any non-powered contact including conductive probes (Section B) or reed switch sensors (Sections A, G, and K).
- Adjustable sound levels
- Caution light to warn when a fault condition has occurred and cleared itself
- Long life, highly visible red, green, and yellow LED fault and normal operation indicators
- Low voltage sensing circuit for ease of wiring
- Indoor or outdoor installation
- Low cost
- High impact polycarbonate housing
- Small footprint design
- Easy to reach screw type wiring terminals for secure connection and easy installation
- Options for either normally open or normally closed contacts



Dimensions



Specifications

Supply Voltage	120 VAC +10%/-15%, 4.8 VA Max.
Indicators	Red, Green and Yellow Solid-State LED's
Audible Alarm	Field Adjustable From 77 to 97 dB @ 2 Feet
Enclosure	NEMA 3R Polycarbonate
Sensor Voltage	12 VAC
Terminals	Size 6 Pan Head Screws with Captivated Wire Clamping Plate
Temperature	-22°F to +150°F (-5.5°C to +65.5°C)
Sensitivity	0-26K Ohm Maximum Specific Resistance
Maximum Wire Run	1000 Feet (14 or 16 Gauge MTW Or THHN Wire)
Conduit Connection	3/4" FNPT, PVC Material

How To Order

Select Part Number based on switch logic.

Interface Contacts	Part Number
N.O. Dry (Sensor Normally Dry)	177337
N.C. Dry (Sensor Normally Wet)	177341