

PS-C Series – High Performance Industrial Switch

- ▶ Vacuum, Differential & Pressure Switches
- ▶ 0.8"wc to 7500 PSI Pressure Range
- ▶ Excellent 0.2% Repeatability

Gems PS-C Series pressure switches have been painstakingly designed to provide a very easy end user interface and reliable service. Details like stainless steel mounting brackets for the microswitch; self-locking adjusting nut; internal stainless steel pistons and spring; and baked-on enclosure finishes highlight these design efforts. The PS-C uses either a diaphragm/piston combination design or a traditional piston design.

Specifications

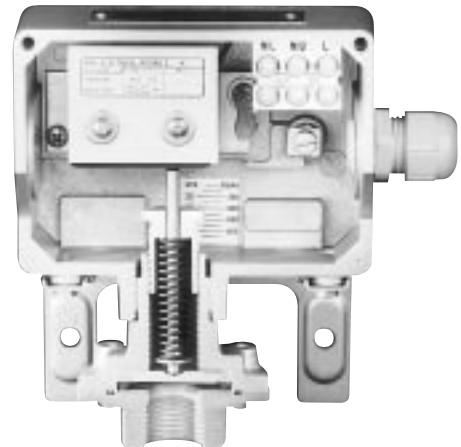
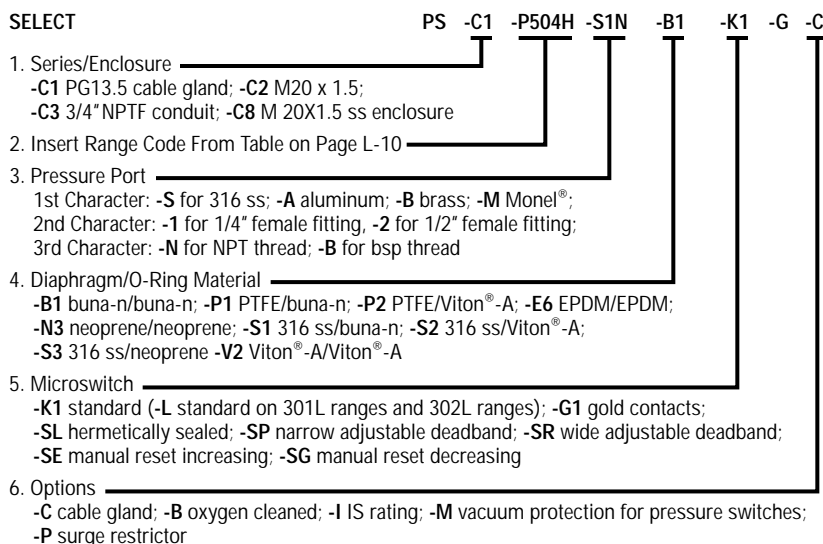
Process Temperature Buna-N	-40°F to +176°F (-40°C to +80°C)
Ambient Temperature	-40°F to +176°F (-40°C to +80°C) (Determined by Microswitch)
Switch	15 Amp SPDT@240 VAC, 0.5 Amp@28 VDC, (Ranges ≤40" H ₂ O (200 mbar), use a 10 Amp@240 VAC / 0.5 Amp@28 VDC)
Approvals	CE, Microswitch is UL & CSA Recognized (Optional Intrinsic Safe Rating for EEx ia/ib IIC T6 (1))
Repeatability	0.2% of Highest Set Point @ 68°F (20°C)
Wetted Parts Diaphragm	Buna-N
O-Ring	Buna-N
Fitting	Aluminum or Stainless Steel
Enclosure	Aluminum or Stainless Steel Enclosure IP66 (Nema 4X) Aluminum With Baked-On Enamel Coating
Adjustable Dead Band Option	4 Times Listed Values (1.5 Times Listed Values for Differential Units)
Electrical Termination	PG13.5 Cable Gland or 3/4" NPT Conduit
Process Fitting	G 1/4 or 1/4" NPT
Weight, Approximate	3.3 lbs. (1.5 kg)

Notes:

(1) BASEFA approved (CENELEC standards EN50 014/50 018) and meets all requirements of BS 5501 / EN 50 039 (EExi) relating to insulation, clearance, creepage distance and enclosure type where peak voltage of 90 V is allowed.

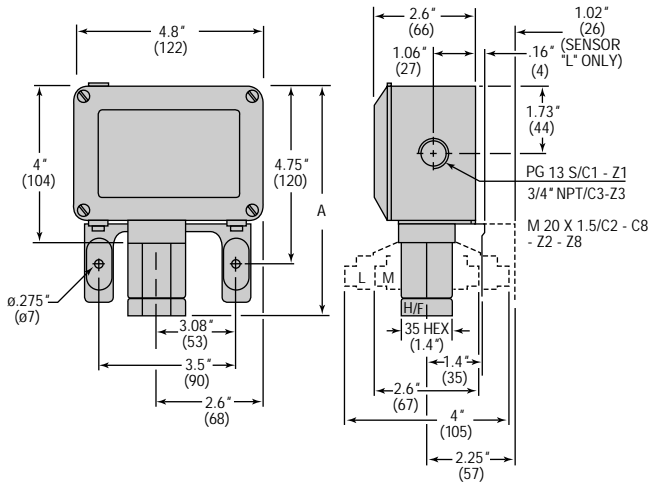
How To Order

Use the **Bold** characters from the chart below to construct a product code.

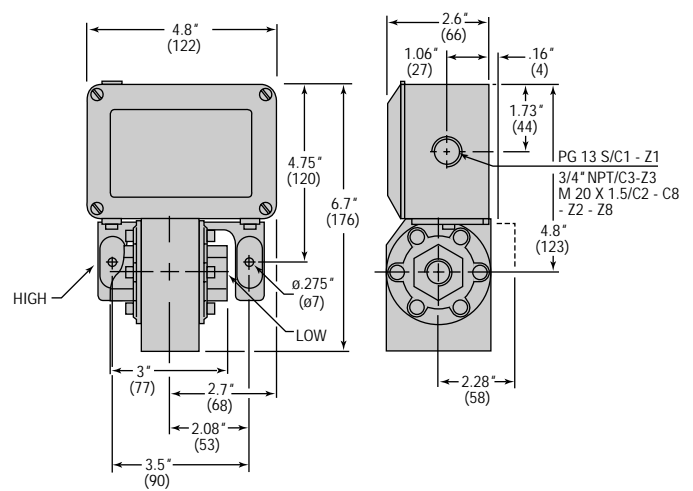


Dimensions

PS-C Pressure Switch



PS-C Differential



Type	Port	Pressure Range Code	Pressure Range		Max. Deadband		Max. Operating		Proof Pressure	
			PSI	Bar	PSI	Bar	PSI	Bar	PSI	Bar
Pressure	Aluminum	-P301L	0.8"-6.0" wc	2-15 mbar	0.5-0.8" wc	1,1-1,9 mbar	400	30	500	35
		-P302L	4-40" wc	10-100 mbar	1-1.4" wc	2,5-3,5 mbar	400	30	500	35
		-P304L	8-100" wc	20-240 mbar	2.4-3.6" wc	6-9 mbar	400	30	500	35
		-P306L	0.3-8	20-560 mbar	2.4-4.8" wc	6-12 mbar	400	30	500	35
		-P308L	0.4-15	25-1300 mbar	2.8-6" wc	7-15 mbar	400	30	500	35
		-P402M	1.5-5	100-400 mbar	6-8" wc	15-20 mbar	1800	125	2000	140
		-P404M	1.5-15	100-950 mbar	6-12" wc	15-30 mbar	1800	125	2000	140
		-P406M	2-30	120-2300 mbar	6.5-20" wc	16-50 mbar	1800	125	2000	140
	-P408M	2-75	15-5400 mbar	6.5-35" wc	16-90 mbar	1800	125	2000	140	
	316 Stainless Steel	-P502H	4-20	0,3-1,6	1-1.4	65-95 mbar	3000	200	8500	600
		-P504H	6-50	0,4-3,9	1-2.3	65-160 mbar	3000	200	8500	600
		-P506H	7-130	0,5-9,0	1-4.8	65-330 mbar	3000	200	8500	600
		-P508H	10-300	0,7-21,5	1-12	70-810 mbar	3000	200	8500	600
		-P708H	45-1000	3-76	4-55	0,3-3,75	3000	200	8500	600
-P808H		60-2500	4-170	11-135	0,8-9,5	5800	400	8500	600	
Fluid Power*	Brass	-P904F	175-800	12-55	50-90	3,5-6	9000	650	10000	700
		-P906F	250-1900	16-130	50-125	4-8,5	9000	650	10000	700
		-P908F	300-4300	20-300	85-175	6-12	9000	650	10000	700
		-P918F	450-7500	30-540	200-450	15-31	9000	650	10000	700
Vacuum	Aluminum	-V304L	2" Hg/6	-60/+150 mbar	0.1" Hg/0.4	4/6,5 mbar	400	30**	500	35
		-V404M	12" Hg/6	-400/+400 mbar	0.5" Hg/0.4	16/25 mbar	1800	125	2000	140
	316 S.S.	-V506H	30" Hg/85	-1/6	2.4" Hg/4.4	80/300 mbar	3000	200	8500	600

*Fluid power switches are for hydraulic use and not for use on gas systems (piston design).
 **Vacuum limit is 15" Hg (-0,5 bar)

Type	Port	Pressure Range Code	Pressure Range		Max. Deadband - 0% / 50% / 100% of Max. Static Pressure		Max. Static Pressure		Max. Delta P	
			PSI	Bar	PSI	Bar	PSI	Bar	PSI	Bar
Differential	Aluminum	-D404M	0.8-3.5	0,5-2,5	0.5 / 3.6 / 5.8	0,1 / 0,25 / 0,4	700	50	2000	140
		-D406M	15-85	1-6	1.5 / 3.6 / 5.8	0,1 / 0,25 / 0,4	700	50	2000	140
		-D408M	15-200	1-14,5	1.5 / 3.6 / 5.8	0,5 / 1,0 / 0,4	700	50	2000	140
		-D506M	70-300	5-20	7.3 / 15 / 22	0,5 / 1,0 / 1,5	1500	100	2000	140
		-D508M	150-700	10-50	7.3 / 15 / 22	0,5 / 1,0 / 1,5	1500	100	2000	140
		-D608M	150-1000	10-70	12 / 23 / 35	0,8 / 1,6 / 2,4	2000	140	2000	140