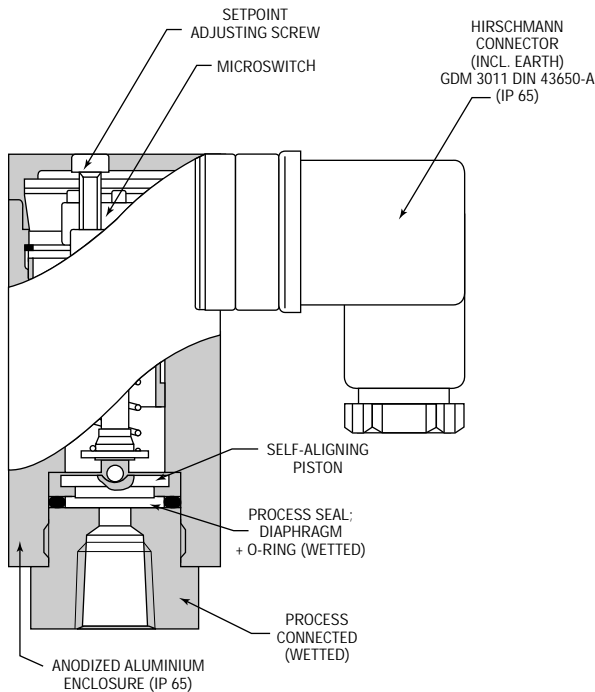


# PS-B Series – High Performance Pressure Switch

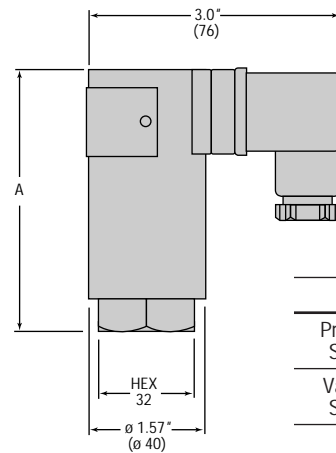
PRESSURE SWITCHES

- ▶ Vacuum and Pressure Ranges
- ▶ 0.5% Repeatability
- ▶ Compact Design

Gems PS-B Series are economically designed pressure switches that use high-quality materials and workmanship to provide the very best service. The PS-B Series is available in a diaphragm/piston combination design or a traditional piston design. Both offer very high operating and proof pressure specifications. These high proof pressures greatly reduce the chance that pressure spikes and surges will damage the unit.



## Dimensions



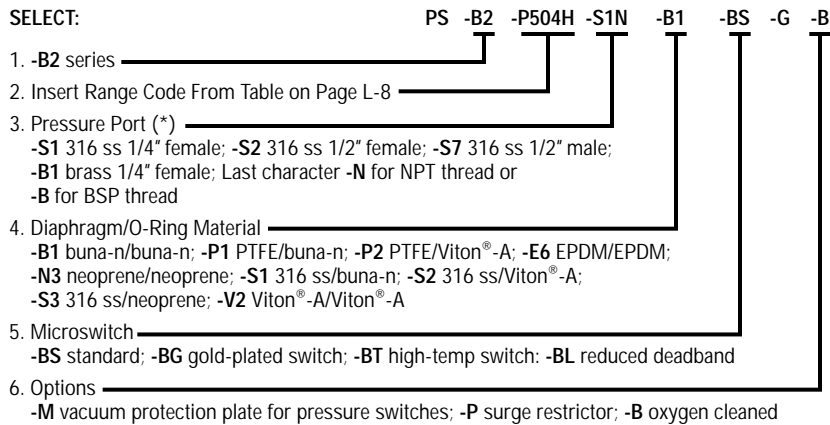
Type	A
Pressure Switch	3.62" (92mm)
Vacuum Switch	4.21" (107mm)
Fluid Power	3.94" (100mm)

## Specifications

Ambient Temperature	-40°F to +176°F (-40°C to +80°C)
Switch	5 Amp SPDT@240 VAC, 5 Amp@30 VDC, (Optional Gold Contacts, or 390°F (200°C) Rating)
Approvals	CE, Microswitch is UL and CSA Recognized
Repeatability	0.5% of Highest Set Point @ 68°F (20°C)
Wetted Parts	
Diaphragm	Buna-N (Optional PTFE, 316 SS)
O-Ring	Buna-N (Optional Viton®)
Fitting	Brass or Stainless Steel
Enclosure	IP66 (Nema 4X) Aluminum
Electrical Termination	IP65, DIN 43650 Connector
Pressure Port	G1/4 Female or 1/4" NPT
Weight, Approximate	1 lbs. (0.4 kg)

### How To Order

Use the **Bold** characters from the chart below to construct a product code.



Note: (\*) Brass connections are on fluid power switches

Type	Process Connection Material	Pressure Range Code	Adjustable Range	Typical Deadband	Operating Pressure Max.	Proof Pressure	Part Numbers	
							G 1/4" Connection	1/4" NPT Connection
Pressure	316 Stainless Steel	<b>-P504H</b>	5-50 psi 0,3-3,5 bar	2 psi 0,15 bar	3000 psi 200 bar	8500 psi 600 bar	<b>176501</b>	<b>176511</b>
		<b>-P508H</b>	15-300 psi 1-21 bar	7 psi 0,500 bar	3000 psi 200 bar	8500 psi 600 bar	<b>176502</b>	<b>176512</b>
		<b>-P708H</b>	60-1000 psi 4-76 bar	45 psi 3 bar	3000 psi 200 bar	8500 psi 600 bar	<b>176503</b>	<b>176513</b>
		<b>-P808H</b>	75-2500 psi 5-170 bar	100 psi 7 bar	5800 psi 400 bar	8500 psi 600 bar	<b>176504</b>	<b>176514</b>
		<b>-P908H</b>	250-4000 psi 16-300 bar	215 psi 15 bar	5800 psi 400 bar	8500 psi 600 bar	<b>176505</b>	<b>176515</b>
Fluid* Power	Brass	<b>-P908F</b>	250-4000 psi 16-300 bar	230 psi 16 bar	9000 psi 650 bar	10000 psi 700 bar	<b>176506</b>	<b>176516</b>
		<b>-P918F</b>	450-7500 psi 30-540 bar	580 psi 40 bar	9000 psi 650 bar	10000 psi 700 bar	<b>176507</b>	<b>176517</b>
Vacuum	316 Stainless Steel	<b>-V504</b>	30" Hg-30 psi -1 to 2 bar	2 psi 0,130 bar	3000 psi 200 bar	8500 psi 600 bar	<b>176508</b>	<b>176518</b>

\* Fluid power switches are for hydraulic use and not for use on gas systems.