

PS-FA & PS-FB Series – Rugged Cylindrical Pressure Switch

- ▶ Wear Disc Design for Longer Life
- ▶ 5 to 6000 PSI (0,35 to 420 bar) Pressure Range
- ▶ 9000 PSI (600 bar) Proof Pressure

Gems PS-FA & PS-FB Series have all metal surfaces for overload stops and delivery reliable operations under extremely high pressure surges. They are designed with a wear disc and cushioning ring for an increased life span. The PS-FA & PS-FB Series provide the greatest protection for demanding applications. The switches use a piston/diaphragm design, which combine the high proof pressure of piston technology with the sensitivity of a diaphragm design. The switches can be field or factory adjusted.

Specifications

Process Temperature	
Buna-N	-4°F to +176°F (-20°C to +80°C)
EPDM*	-40°F to +176°F (-40°C to +80°C)
Viton®*	+32°F to +176°F (0°C to +80°C)
Ambient Temperature	-40°F to +176°F (-40°C to +80°C)
Switch	5 Amp SPDT@120/240 VAC and 12/24 VDC (>2 million cycles @ 1000 psi)
Approvals	Microswitch is UL and CSA Recognized
Repeatability	2% of Highest Set Point @ 70°F (20°C)
Wetted Parts	
Diaphragm	Buna-N (Optional EPDM or Viton®)
Fitting	Zinc-Plated Steel or 304 SS
Housing	IP65 (Nema 4) Zinc-Plated Steel (Optional 316 Stainless Steel)
Electrical Termination	DIN 43650A 18" (0.5m) Long, 18 AWG (0.82mm ²) PVC Leads
Pressure Port	G or 1/4" NPT Male (Female with 304SS Fittings) (Optional 7/16"-20 UNF)
Weight, Approximate	0.5 lbs. (0.23 kg)

*Optional

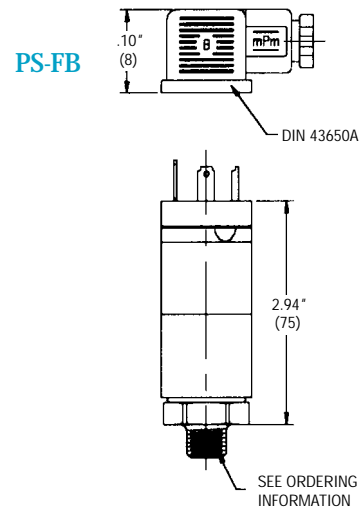
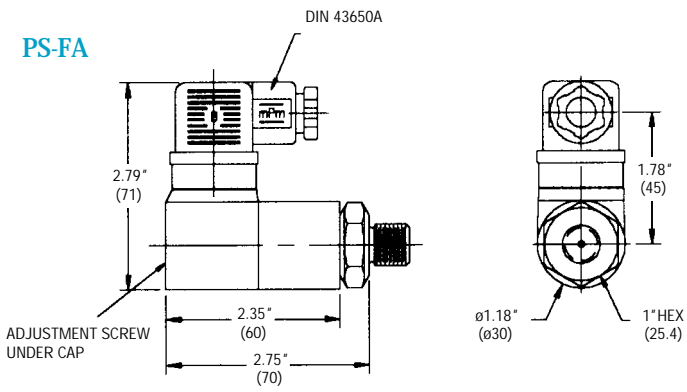


PS-FA Series



PS-FB Series

Dimensions



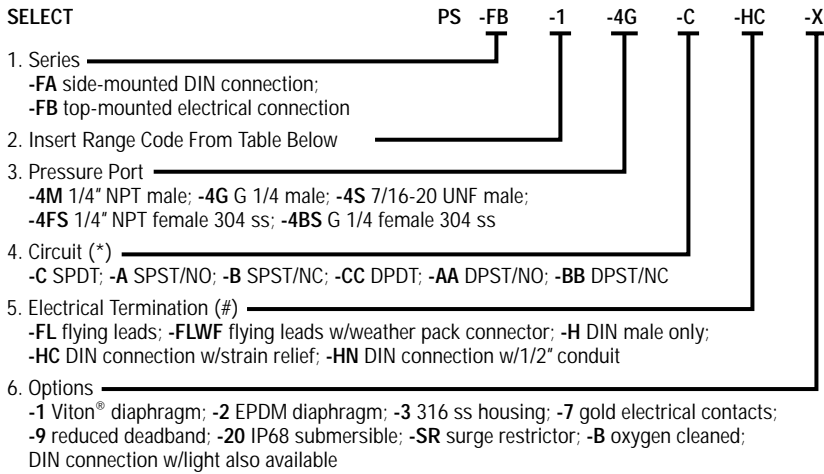
Wiring

	DIN	Lead
Common	#1	Black
N.C.	#2	Green
N.O.	#3	Red

SEE ORDERING INFORMATION

How To Order

Use the **Bold** characters from the chart below to construct a product code.



Note: (+) for factory-set units indicate setting and units followed by -R for rising or -F for falling
Example: PS-FA-50psi-R-4M-A-FL (50psi, Rising, 1/4" NPT, Normally Open Switch, Flying Leads)
 (*) lead wires required on all selections except -C SPDT option
 (#) FA series options are DIN connection-style only

Pressure Range Code	Adjustable Range	Average Dead Band	Proof Pressure	Part Number					
				PS-FA			PS-FB		
				Zinc-Plated Male Fittings				304 Stainless Steel Female	
				DIN Connector		Leads		DIN	Leads
				G 1/4"	1/4" NPT	G 1/4"	1/4" NPT	G 1/4"	1/4" NPT
-1	5-25 psi 0,35-1,7 bar	2-4 psi 0,15-0,30 bar	500 psi 35 bar	176604	176765	176611	176772	176618	176779
-2	15-75 psi 1-5 bar	5-10 psi 0,35-0,7 bar	9000 psi 600 bar	176605	176766	176612	176773	176619	176780
-2A	50-150 psi 3,5-10 bar	10-20 psi 0,7-1,4 bar	9000 psi 600 bar	176606	176767	176613	176774	176620	176781
-3	150-650 psi 10-45 bar	40-60 psi 2,7-4 bar	9000 psi 600 bar	176607	176768	176614	176775	176621	176782
-4A	500-1750 psi 35-120 bar	120-200 psi 8-14 bar	9000 psi 600 bar	176608	176769	176615	176776	176622	176783
-4	1000-3500 psi 70-240 bar	275-425 psi 19-30 bar	9000 psi 600 bar	176609	176770	176616	176777	176623	176784
-5	2500-6000 psi 170-420 bar	520-730 psi 36-50 bar	9000 psi 600 bar	176610	176771	176617	176778	176624	176785