

ULS-100 Series – Single Point

High Performance Sensor Probe Withstands Temperature to 300°F (148.9°C)

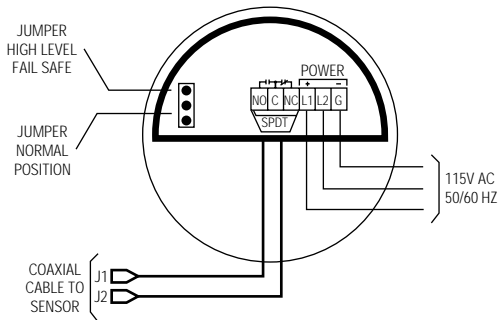
- ▶ 10 Amp DPDT Relay Output
- ▶ 115/230 VAC or 12/24 VDC Input
- ▶ High Gain
- ▶ No calibration necessary
- ▶ Lengths to 99 inches (251.5 cm)

The ULS-100 Series feature our high performance sensor probe for handling liquid temperature to 300°F (148.9°C) and pressure to 1000 psi. Explosion proof and water tight, cast aluminum enclosures are standard; FM Approved explosion proof enclosures are also available.

Specifications

Input Power	115/230 VAC, 50/60 Hz; or 12/24 VDC
Gain	1000:1
Output	10 Amp DPDT Relay
Delay (On)	0.5 Seconds
Repeatability	2mm, Typical
Housing	NEMA 4/NEMA 7 Watertight, Explosion Proof Enclosure, Epoxy Coated Cast Aluminum Class I, Group C & D; Class II, Group E, F, & G; and Class III, Division 1 & 2.
Operating Temperature	
Sensor	-40°F to +300°F (-40°C to 148.9°C)
Electronics	-20°F to +170°F (-28.9°C to 76.7°C)
Pressure, PSIG, Max.	1000 @ 250°F (121.1°C)

Wiring Diagram



Note:
 For 24 VDC or 12 VDC Models
 Connect Positive (+) to L1 - Terminal
 Connect GND (-) to G - Terminal

ORDER IT!

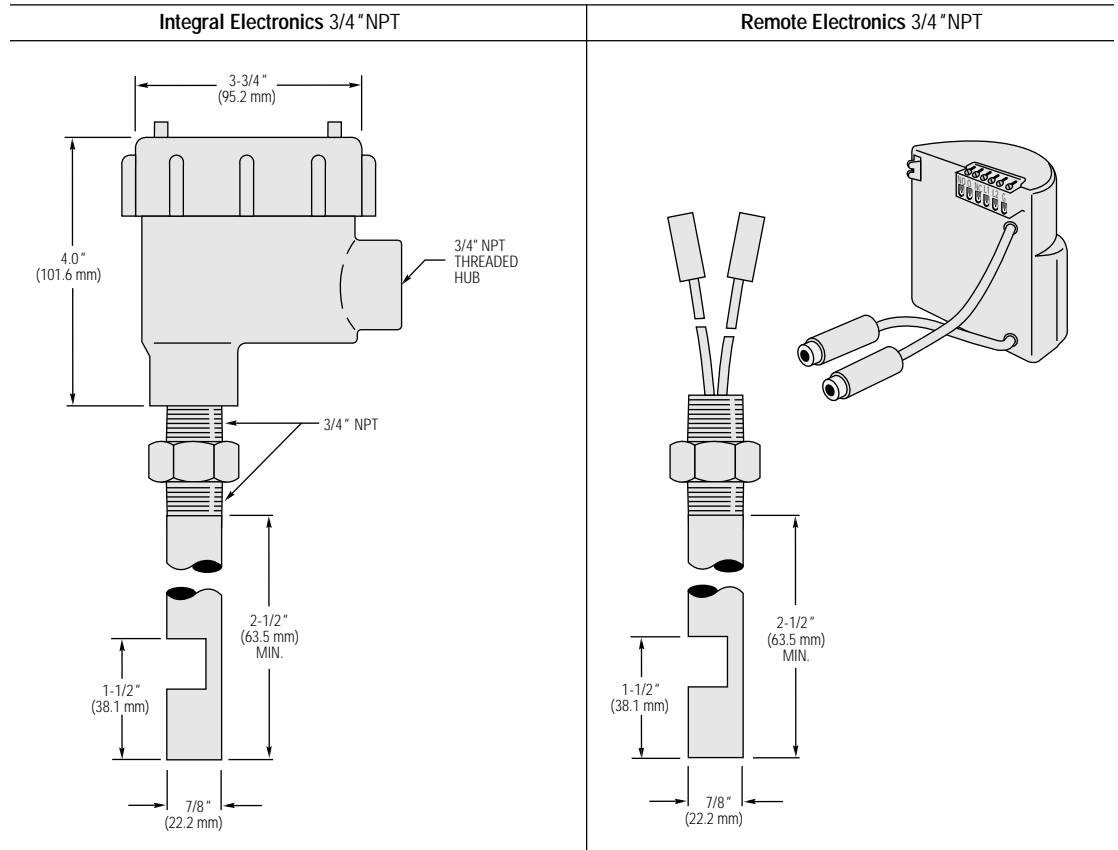
Ordering is Easy! See Instructions on Page E-2.



FM-Approved Explosion Proof Enclosure may be ordered by specifying ULS-100-EP.

Remote Electronics

1. Mounting Type*



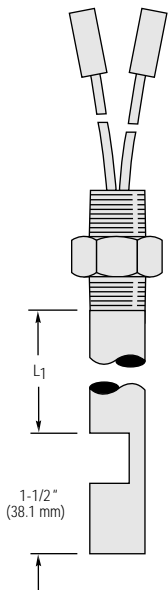
LEVEL SWITCHES

Mounting and Sensor Materials

316 Stainless Steel**

* Flanges also available; consult factory for sizes and materials.
 ** Other materials available. See Page E-3.

2. Actuation Level Dimensions



Switch actuation level (L_1) is determined following the guidelines below.
 $L_1 = 1" (25.4 \text{ mm})$ Minimum
 $99" (251.5 \text{ cm})$ Maximum