

Alloy Versions – Standard Size

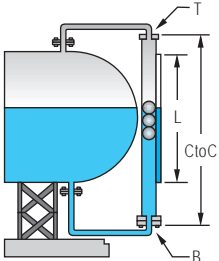
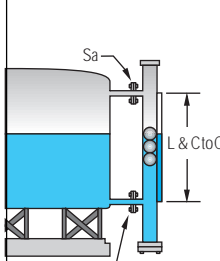
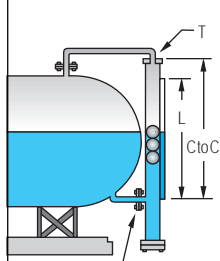
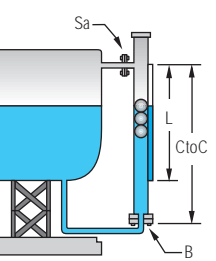
ORDER IT!
Ordering is Easy! See Instructions on Page G-2.

- ▶ Temperatures to 750°F (399°C)
- ▶ Pressures to 2650 PSI (183 Bar)

Rugged, welded construction makes these 2-1/2" (63.5 mm) diameter design, alloy SureSite Indicators dependable over a long service life indoors and out.

1. Mounting Configuration Types

To choose the best configuration for your application, focus on the process connections (connections where the liquid typically enters/leaves the SureSite).

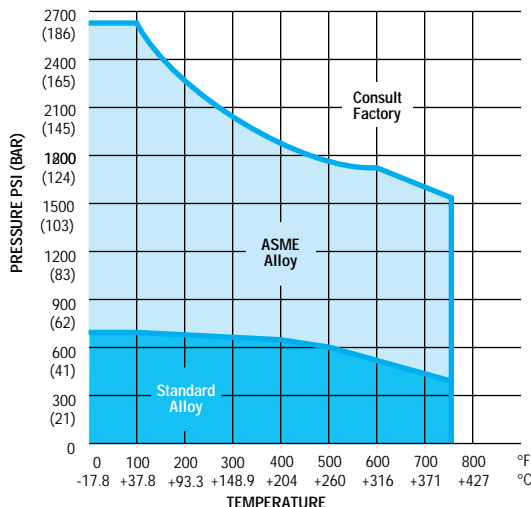
	Type AA Top and Bottom Process Connections	Type BA Side and Side Process Connections	Type CA Top and Side Process Connections	Type DA Side and Bottom Process Connections
				
Typical Lengths*	C to C = L + 10-1/4" (260.4 mm)	C to C = L	C to C = L + 3-3/4" (95.2 mm)	C to C = L + 6-1/2" (165.1 mm)
Housing and Float Material	316 Stainless Steel			
Flag Material	Plastic (300°F/148.9°C) or Aluminum (750°F/399°C)			
Length of Indication (Uninterrupted)	300" (762 cm)			

*Dimensions vary due to connections, material and specific gravity.
Note: Additional materials, floats, connections and manufacturing techniques are available to extend lengths and operational capabilities. Please contact GEMS Sensors if the parameters above do not meet your requirements.

2. Material

Housing and Float: 316 Stainless Steel

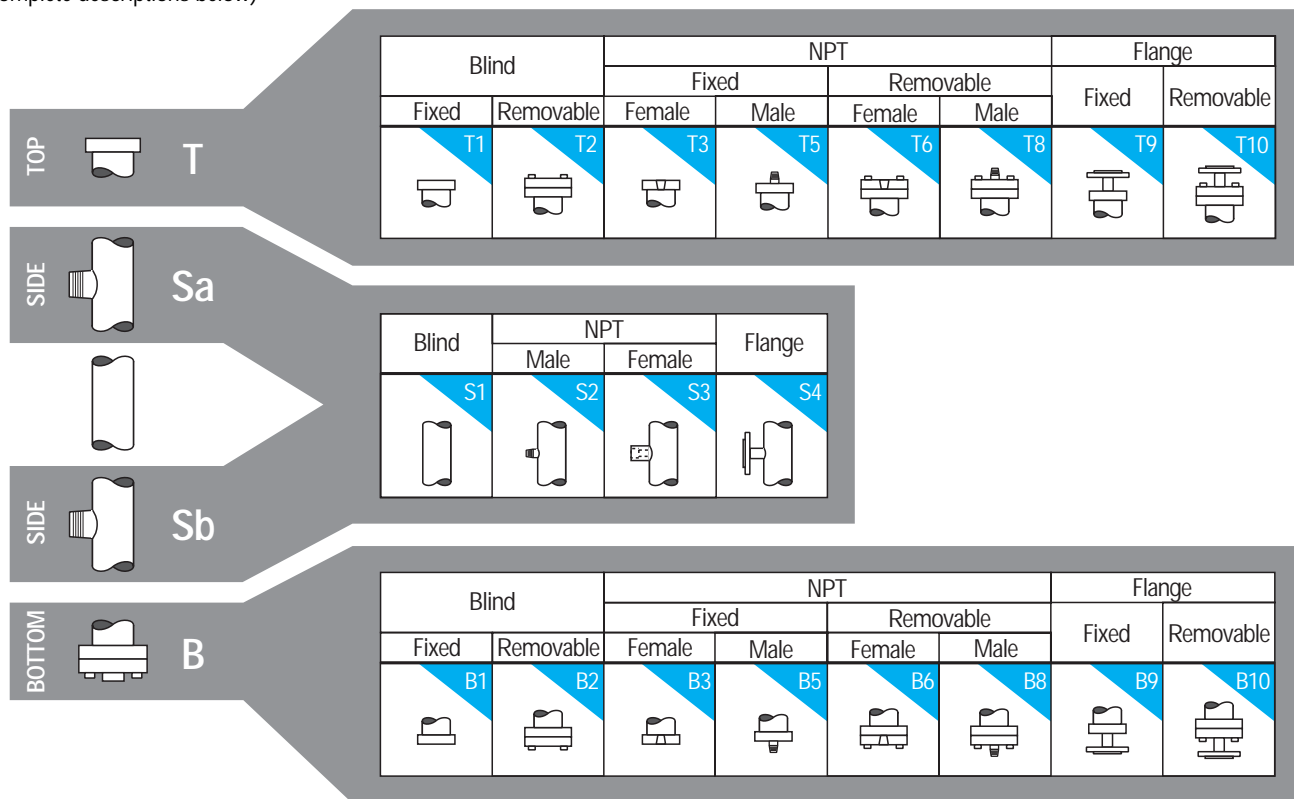
Pressure/Temperature performance parameters for alloy SureSite versions are specified in the chart at right. Please consult the factory with temperature/pressure requirements that fall outside the parameters shown here.



Type BA

3. Connection Codes

(See complete descriptions below)



Connection Code Descriptions

Please provide all connections when completing the Order! Product Check List (located in the back of this catalog).

T & B (Top and Bottom)

- T/B 1. Welded pipe cap
- T/B 2. Standard fixed flange/blind mating flange
- T/B 3. Welded pipe cap w/FNPT
- T/B 5. Welded pipe cap w/MNPT nipple
- T/B 6. Standard fixed flange/mating FNPT reducing flange
- T/B 8. Standard fixed flange/mating flange with MNPT nipple
- T/B 9. Welded pipe cap with ANSI flange
- T/B 10. Standard fixed flange/mating reducing flange spool

Sa & Sb Sides

- S1. No connection
- S2. MNPT nipple
- S3. FNPT coupling
- S4. ANSI flange
- S5. Sanitary flange

Note: Before selecting your connections, consider incorporating your vent and drain requirements.

Top Mount Units

When it's not practical to access the side of a tank for liquid monitoring, look to SureSite Top Mount Indicators for the solution. Please consult with the factory for these specially configured indicators 1-800-321-6070.



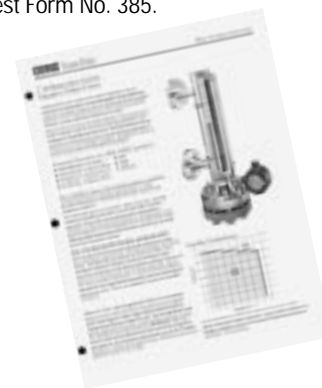
Options

See Pages G-9 and G-10 for various Scale, Switch, and Continuous Transmitter Options.

There's More!

- Higher Pressures
- Exotic Alloys
- Additional Options and Accessories
- More Connection Types

Gems SureSite® Indicators comprise the largest selection of magnetic visual level indicators available. The component selection and accessories offered here is limited by space. Give GEMS a call for the complete Mini SureSite story. Request Form No. 385.



ORDER IT!
860-747-4244

Photocopy This Form
Use one form for each product type you are selecting.

Page# _____ Name _____
 Company _____
 Street _____
 City _____ State _____ Zip _____
 Phone (____) _____ Fax (____) _____
 This is a Request for a Quote Order P.O.# _____
 Quantity Needed _____ Date Required ____/____/____
 Shipping Method: _____ Partial Accepted: Yes No

SureSite Indicators, Engineered Plastic Versions – Standard Size (Pages G-7 & G-8)

Process Conditions

This information is essential to the accurate and proper operation of your SureSite® Visual Level Indicators. Please complete fully and accurately.

- 1. Pressure: Operating _____ psig Maximum _____ psig
- 2. Temperature: Operating _____ °F Maximum _____ °F
- 3. Liquid Media: _____
- 4. Specific Gravity @ Operating Condition: _____
- 5. Viscosity: _____ SSU
- 6. Application Location:
 Indoors Outdoors

Physical Configuration

1. Mounting Configuration Types:

- Type AP Type BP Type CP Type DP

2. Housing and Float Material:

- Code #1 (PVC) Code #2 (CPVC)
 Non-standard; Specify _____
 consult factory.

3. Connection Codes – Complete all 4 connection code lines.
 Check off NPT or Flange size where appropriate.

▼ Connection Code Number Goes Here. Connection Code Numbers and their descriptions are on Page G-8.

Top T	NPT	Flange	
<input type="checkbox"/> 1/2" <input type="checkbox"/> 1" <input type="checkbox"/> 2" <input type="checkbox"/> Other _____	<input type="checkbox"/> 1/2" <input type="checkbox"/> 1" <input type="checkbox"/> 2" <input type="checkbox"/> Other _____	<input type="checkbox"/> 150# (FF) <input type="checkbox"/> 600# (FF) <input type="checkbox"/> Other _____	<input type="checkbox"/> 150# (FF) <input type="checkbox"/> 600# (FF) <input type="checkbox"/> Other _____
Side Sa	NPT	Flange	
<input type="checkbox"/> 1/2" <input type="checkbox"/> 1" <input type="checkbox"/> 2" <input type="checkbox"/> Other _____	<input type="checkbox"/> 1/2" <input type="checkbox"/> 1" <input type="checkbox"/> 2" <input type="checkbox"/> Other _____	<input type="checkbox"/> 150# (FF) <input type="checkbox"/> 600# (FF) <input type="checkbox"/> Other _____	<input type="checkbox"/> 150# (FF) <input type="checkbox"/> 600# (FF) <input type="checkbox"/> Other _____
Side Sb	NPT	Flange	
<input type="checkbox"/> 1/2" <input type="checkbox"/> 1" <input type="checkbox"/> 2" <input type="checkbox"/> Other _____	<input type="checkbox"/> 1/2" <input type="checkbox"/> 1" <input type="checkbox"/> 2" <input type="checkbox"/> Other _____	<input type="checkbox"/> 150# (FF) <input type="checkbox"/> 600# (FF) <input type="checkbox"/> Other _____	<input type="checkbox"/> 150# (FF) <input type="checkbox"/> 600# (FF) <input type="checkbox"/> Other _____
Bottom B	NPT	Flange	
<input type="checkbox"/> 1/2" <input type="checkbox"/> 1" <input type="checkbox"/> 2" <input type="checkbox"/> Other _____	<input type="checkbox"/> 1/2" <input type="checkbox"/> 1" <input type="checkbox"/> 2" <input type="checkbox"/> Other _____	<input type="checkbox"/> 150# (FF) <input type="checkbox"/> 600# (FF) <input type="checkbox"/> Other _____	<input type="checkbox"/> 150# (FF) <input type="checkbox"/> 600# (FF) <input type="checkbox"/> Other _____

- 4. Length of Visual Indication – L: _____ inches (240", Max.).
 Connection to Connection Dimension – C to C: _____ inches.

Special Instructions (Materials, Connections, etc.)

5. Flag Type: Plastic (Orange and White)

Accessories (Pages G-9 and G-10)

- 1. Transmitters (Continuous Electrical Indication):
 Standard – 300°F Explosion-Proof
- 2. J-Box/Signal Conditioners Accessories:
 Terminal Strip 4-20 mA Output 0-5 VDC Output
 0-12 VDC Output Other _____
- 3. Power Supply: 115 VAC (Input) /24 VDC (Output)
 230 VAC (Input) /24 VDC (Output)

- 4. Switch Modules (Single Point): _____ Quantity only if required
 a. SPST SPDT DPDT 120 VAC DPDT 24 VDC
 b. Standard – 300°F High Temperature
 Explosion Proof
- 5. Indicating Scales:
 Feet and Inches Blank
 Custom Graduations; specify: _____

Please contact GEMS Sensors Inc. for any configuration or special requirements not covered on this form. **800-321-6070**

Quote \$ _____ Date Quoted ____/____/____



Gems Sensors Inc.
 One Cowles Road
 Plainville, CT
 06062-1198
 tel 860.747.3000
 fax 860.747.4244
 www.gemssensors.com

SURESITE® VISUAL INDICATORS – STANDARD SIZE, PLASTIC

ORDER IT!