

Alloy Versions—Miniature Size

ORDER IT!
Ordering is Easy! See Instructions on Page G-2.

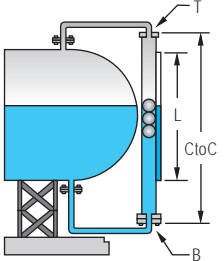
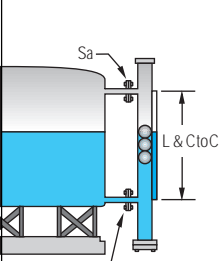
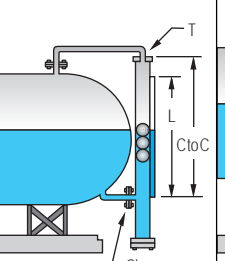
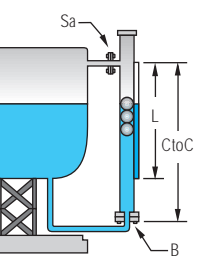
- ▶ Lengths to over 20 feet (6.1 meters)
- ▶ All Stainless Steel housings
- ▶ 1/2" or 3/4" NPT Side or Top/Bottom Connections

Use these Mini SureSite Indicators where space is tight—they feature a diameter of only 1-1/4"! They can replace existing, antiquated sightglasses for excellent external, visual liquid level indication. Mini SureSite Indicators are ideal for use with clean, low viscosity liquids.

Typical Applications

- Pharmaceuticals • Medical Equipment • Food and Beverages
- Semiconductor Manufacturing

1. Mounting Configuration Types

Type AM	Type BM	Type CM	Type DM
Top and Bottom Process Connections	Side and Side Process Connections	Top and Side Process Connections	Side and Bottom Process Connections
			
Typical Lengths*	C to C = L + 13" (330 mm)	C to C = L	C to C = L + 12-1/2" (317 mm)



Housing and Float Material	See Below		
Flag Material	Plastic (300°F/148.9°C) or Aluminum (750°F/399°C)		
Length of Indication (Uninterrupted)	240" (610 cm)		

*Dimensions vary due to connections, material and specific gravity.

Note: Additional materials, floats, connections and manufacturing techniques are available to extend lengths and operational capabilities. Please contact GEMS Sensors if the parameters above do not meet your requirements.

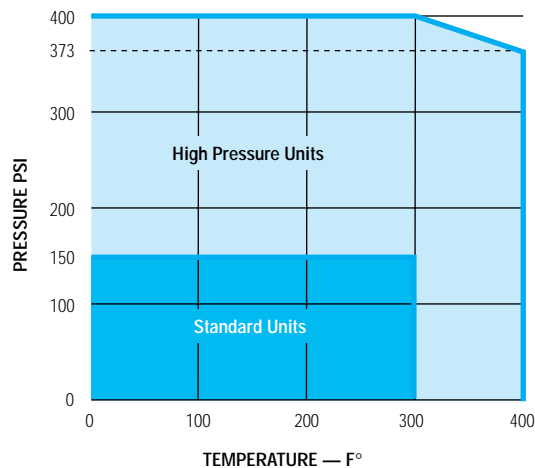
2. Material

Select desired material from those tabulated below. Mark the Code Number on your OrderIt! Check List. The pressure/temperature performance parameters for each of the materials are specified in the chart at right. Please consult the factory with pressure/temperature requirements that fall outside the parameters shown here.

	Materials		Code
	Housing	Float	
Standard Units	304 Stainless Steel	316 Stainless Steel	1
High Pressure Units	316 Stainless Steel	316 Stainless Steel	2

Miniature SureSite Performance

Gems configures Miniature SureSite Indicators, using various materials and fittings, to perform within the Pressure/Temperature parameters specified in the chart at right.



Note: SureSite Indicators are available for temperatures as low as -200°F (-129°C)

3. Connection Codes

(See complete descriptions below)

	Blind			NPT			Flange	
	Fixed	Removable		Female	Removable		Fixed	Removable
		T1	T4		T10	T2		
Standard SureSite® Connections								
Sanitary SureSite® Connections								

	Blind	NPT		Flange	Sanitary Flange
	S1	Male S2	Female S3	S4	S5
Sa					
Sb					

	Blind			NPT			Flange	
	Fixed	Removable		Female	Removable		Fixed	Flange
		B1	B4		B10	B2		
Standard SureSite® Connections								
Sanitary SureSite® Connections								

— Connection Codes and Materials background-shaded in this color are stocked by Gems. Select these connections where possible to obtain the most economical SureSite Indicators with a prompt delivery.

Note: Gems recommends a removable top and/or bottom connection for float access.

Connection Code Descriptions

Please provide all connections when completing the Order! Product Check List (located in the back of this catalog).

T & B (Top and Bottom)

- T/B 1. Welded cap
- T/B 2. Welded cap with FNPT
- T/B 4. Removable cap
- T/B 5. Removable cap with FNPT
- T/B 7. Sanitary flange
- T/B 8. Sanitary flange with mating flange
- T/B 10. Standard fixed flange/mating blind flange
- T/B 11. Standard fixed flange/mating FNPT reducing flange
- T/B 19. Welded cap with ANSI flange
- T/B 20. Standard fixed flange/mating reducing flange spool

Sa & Sb (Sides)

- S1. No connection
- S2. MNPT nipple
- S3. FNPT coupling
- S4. ANSI flange
- S5. Sanitary flange

Performance Notes:

1. As an option either the Switch Modules or Transmitter can be used on a Miniature SureSite Indicator - **Not Both**.
2. Minimum specific gravity for pressures under 150 PSI is 0.7. Minimum specific gravity for pressures over 150 PSI is 0.8.
3. Standard O-ring seal material is Viton®. Others available upon request.
4. For Connection codes T/B 4 and 5, the maximum pressure is 150 PSI.
5. Electropolished Outer Diameter (OD) and/or Inner Diameter (ID) housings available upon request.

Options

See Pages G-9 and G-10 for various Scale, Switch, and Continuous Transmitter Options.

There's More!

- Higher Pressures
- Exotic Alloys
- Additional Options and Accessories
- More Connection Types

Gems SureSite® Indicators comprise the largest selection of magnetic visual level indicators available. The component selection and accessories offered here is limited by space. Give GEMS a call for the complete Mini SureSite story. Request Form No. 422.



ORDERIT!
860-747-4244

Photocopy This Form

Use one form for each product type you are selecting.

Page# _____ Name _____

The OrderIt! Order Sheet (Z-4) must accompany this Check List. The Order Sheet is not required for quotes.

Company _____

Street _____

City _____ State _____ Zip _____

Phone (____) _____ Fax (____) _____

This is a Request for a Quote Order P.O.# _____

Quantity Needed _____ Date Required ____/____/____

Shipping Method: _____ Partial Accepted: Yes No

SureSite Indicators, Alloy Versions – Miniature Size (Page G-3 & G-4)

Process Conditions

This information is essential to the accurate and proper operation of your SureSite® Visual Level Indicators. Please complete fully and accurately.

1. **Pressure:** Operating _____ psig Maximum _____ psig
2. **Temperature:** Operating _____ °F Maximum _____ °F
3. **Liquid Media:** _____
4. **Specific Gravity @ Operating Condition:** _____
5. **Viscosity:** _____ SSU
6. **Application Location:**
 Indoors Outdoors

Physical Configuration

1. Mounting Configuration Types:

- Type AM Type BM Type CM Type DM

2. Housing and Float Material

- 304/316 Stainless Steel All 316 Stainless Steel

3. Connection Codes – Complete all 4 connection code lines. Check off NPT or Flange size where appropriate.

▼ Connection Code Number Goes Here. Connection Code Numbers and their descriptions are on Page G-6.

Top T	NPT or Weld	Flange			
<input type="checkbox"/> 1/4" <input type="checkbox"/> 1/2" <input type="checkbox"/> 3/4"	<input type="checkbox"/> 1/2" <input type="checkbox"/> 3/4" <input type="checkbox"/> 1"	<input type="checkbox"/> 150#	<input type="checkbox"/> 300#	<input type="checkbox"/> Flat Faced	<input type="checkbox"/> Raised Face
<input type="checkbox"/> Other _____	<input type="checkbox"/> Other _____	<input type="checkbox"/> _____	<input type="checkbox"/> _____	<input type="checkbox"/> Other _____	<input type="checkbox"/> Other _____
Side Sa	NPT or Weld	Flange			
<input type="checkbox"/> 1/4" <input type="checkbox"/> 1/2" <input type="checkbox"/> 3/4"	<input type="checkbox"/> 1/2" <input type="checkbox"/> 3/4" <input type="checkbox"/> 1"	<input type="checkbox"/> 150#	<input type="checkbox"/> 300#	<input type="checkbox"/> Flat Faced	<input type="checkbox"/> Raised Face
<input type="checkbox"/> Other _____	<input type="checkbox"/> Other _____	<input type="checkbox"/> _____	<input type="checkbox"/> _____	<input type="checkbox"/> Other _____	<input type="checkbox"/> Other _____
Side Sb	NPT or Weld	Flange			
<input type="checkbox"/> 1/4" <input type="checkbox"/> 1/2" <input type="checkbox"/> 3/4"	<input type="checkbox"/> 1/2" <input type="checkbox"/> 3/4" <input type="checkbox"/> 1"	<input type="checkbox"/> 150#	<input type="checkbox"/> 300#	<input type="checkbox"/> Flat Faced	<input type="checkbox"/> Raised Face
<input type="checkbox"/> Other _____	<input type="checkbox"/> Other _____	<input type="checkbox"/> _____	<input type="checkbox"/> _____	<input type="checkbox"/> Other _____	<input type="checkbox"/> Other _____
Bottom B	NPT or Weld	Flange			
<input type="checkbox"/> 1/4" <input type="checkbox"/> 1/2" <input type="checkbox"/> 3/4"	<input type="checkbox"/> 1/2" <input type="checkbox"/> 3/4" <input type="checkbox"/> 1"	<input type="checkbox"/> 150#	<input type="checkbox"/> 300#	<input type="checkbox"/> Flat Faced	<input type="checkbox"/> Raised Face
<input type="checkbox"/> Other _____	<input type="checkbox"/> Other _____	<input type="checkbox"/> _____	<input type="checkbox"/> _____	<input type="checkbox"/> Other _____	<input type="checkbox"/> Other _____

4. Length of Visual Indication – L: _____ inches (240", Max.).

Connection to Connection Dimension – C to C: _____ inches.

5. Flag Type

Plastic flags available to 300°F.

Aluminum flags only for temperatures to 750°F.

- Plastic (Orange and White) Aluminum (Black and Silver)
- Non-Standard; Specify: _____, consult factory.

6. O-Ring Material:

- Viton® (Standard) Ethylene Propylene
- Other _____

Special Instructions (Materials, Connections, etc.)

Accessories (Pages G-9)

1. Switch Modules (Single Point): _____ Quantity only if required

- a. SPST SPDT DPDT 120 VAC DPDT 24 VDC
- b. Standard – 300°F High Temperature
- Explosion Proof

2. Indicating Scales:

- Feet and Inches Blank
- Custom Graduations; specify: _____

Please contact GEMS Sensors Inc. for any configuration or special requirements not covered on this form. **800-321-6070**

Quote \$ _____ Date Quoted ____/____/____



Gems Sensors Inc.
One Cowles Road
Plainville, CT
06062-1198

tel 860.747.3000
fax 860.747.4244
www.gemssensors.com

SURESITE® VISUAL INDICATORS – MINIATURE SIZE, ALLOY

ORDERIT!