



Calibration certificate

# Pt100 and Pt1000 Thermometers

## TR 100 - TR 150 TR 102 - TR 152

# New



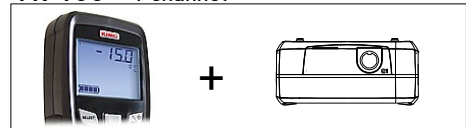
### Functions

- Temperature 1 or 2 channels
- Selection of units
- HOLD function
- Minimum and maximum values
- Adjustable automatic shut-off
- Adjustable backlight
- Delta T (TR 102 & TR 152)
- Adjustable alarms (TR 150 & TR 152)
- Auto-Hold function (TR 150 & TR 152)

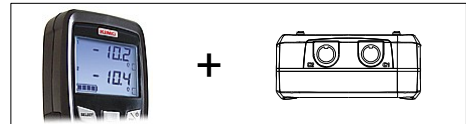
### Technical features

- Measuring element**.....Class 100 : Pt100 class A  
Class 150 : Pt 1000 class A
- Display**.....2 lines, LCD technology. Size 50 x 34.9 mm.  
1 line of 5 digits with 7 segments (value)  
1 line of 5 digits with 16 segments (unit)
- Housing**.....Shock-proof made of ABS, IP54 protection or IP65 with food industry protective cover
- Keypad**.....Metal-coated with 5 keys
- Cable**.....straight, lg. 2 m
- Conformity**.....electromagnetical compatibility (NF EN 61326-1 guideline)
- Power supply**.....1 alkaline battery 9V 6LR61
- Operating temperature**.....from 0 to 50°C
- Storage temperature**.....from -20 to +80°C
- Auto shut-off**.....adjustable from 0 to 120 min
- Weight**.....190g
- Languages**.....French, english

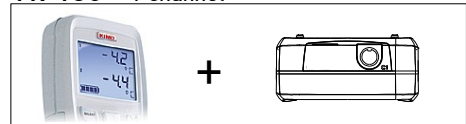
TR 100 - 1 channel



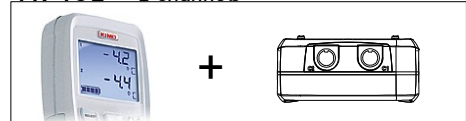
TR 102 - 2 channels



TR 150 - 1 channel



TR 152 - 2 channels



\*except classe 100S and 150S

## Specifications

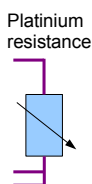
	Measuring units	Measuring ranges	Accuracy*	Resolutions
<b>TEMPERATURE PROBES (See related datasheet)</b>				
<b>TR 100</b> <i>Pt 100 1 channel</i>	°C, °F	from -100 to 400°C	±0.4% ±0.3°C	0.1 °C
<b>TR 102</b> <i>Pt 100 2 channels</i>	°C, °F	from -100 to 400°C	±0.4% ±0.3°C	0.1 °C
<b>TR 150</b> <i>Pt 1000 1 channel</i>	°C, °F	from -100 to 400°C	±0.4% ±0.3°C	0.1 °C
<b>TR 152</b> <i>Pt 1000 2 channels</i>	°C, °F	from -100 to 400°C	±0.4% ±0.3°C	0.1 °C

\*All accuracies indicated in this document were stated in laboratory conditions and can be guaranteed for measurements carried out in the same conditions, or carried out with required compensation.

## Working principle

### Thermometer : Pt100 probe

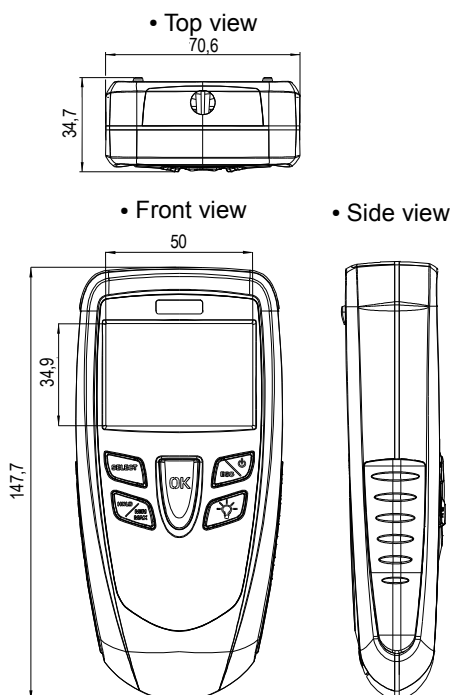
Pt100 is a resistance with a positive temperature coefficient which varies according to the temperature. The higher the temperature is, the more the value of the resistance increases. ie : for 0°C ≈ 100 Ω - for 100°C ≈ 138,5 Ω.



### Thermometer : Pt1000 probe

Same principle than Pt100 with an ohmic value multiplied by 10. For 0°C ≈ 1000 Ω - for 100°C ≈ 1385 Ω.

## Dimensions



## Supplied with ...

● Included ○ Optional

DESCRIPTION	TR 100	TR 102	TR 150	TR 152
Choice of Pt100 temperature probe	○	○		
Choice of Pt1000 temperature probe			○	○
Protective cover for food industry IP65			○	○
Calibration certificate*	●	●	●	●
Transport case	●	●	●	●



\*except class 100S and 150S

### Large choice of temperature probes

(See related datasheet) :

- ambient
- contact
- penetration
- food industry
- penetration
- general use



## Accessories (See related datasheet)

CE 100	BN (See related datasheet)
Protective cover with magnet and holding system.	Black ball Ø 150mm with junction for temperature probe Ø 4,5mm. Further dimensions available.
RTS	GST
Telescopic extension (for probe), 1m long and bent at 90°.	Silicone heat-conductive grease for temperature probes

## Warranty period

Instruments have 1-year guarantee for any manufacturing defect (return to our After-Sales Service required for appraisal).

FTang - TR 100-TR 150 - 05/08 B - We reserve the right to modify the characteristics of our products without notice.