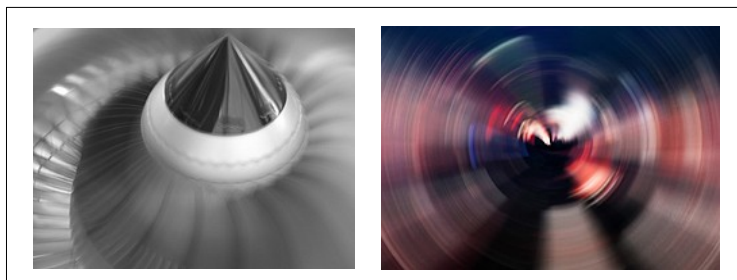


Tachometers

CT 100 O - CT100 C

New

CE



Functions

- Rotation speed
- Selection of units
- HOLD function
- Minimum and maximum values
- Choice between optical and contact revolution counter
- Adjustable automatic shut-off
- Adjustable backlight

Technical features

- Measuring elements**.....**Optical tachometry** : optical detection (Phototransistor tip length 40 cm max.)
Contact tachometry : ETC adaptor for optical tachometry probe.
- Display**.....2 lines, LCD technology. Sizes 50 x 34.9 mm.
 1 line of 5 digits with 7 segments (value)
 1 line of 5 digits with 16 segments (unit)
- Housing**.....Shock-proof made of ABS, IP54 protection
- Keypad**.....Metal-coated with 5 keys
- Cable**.....retractable, length 450 mm, up to 2.4 m when released
- Conformity**.....electromagnetical compatibility (NF EN 61326-1 guideline)
- Power supply**.....1 alkaline battery 9V 6LR61
- Operating temperature**.....from 0 to 50°C
- Storage temperature**.....from -20 to +80°C
- Auto shut-off**.....adjustable from 0 to 120 min
- Weight**.....190g
- Languages**.....French, english



CT 100 O – Optical probe – Fixed probe



CT 100 C – Optical probe with ETC adaptor – Fixed probe



Specifications

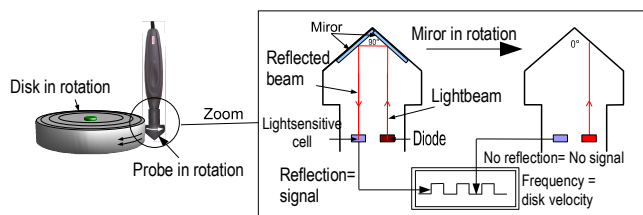
Measuring units	Measuring ranges	Accuracy*	Resolutions
OPTICAL TACHOMETRY			
RPM	from 60 to 10000 RPM from 10001 to 60000 RPM	$\pm 0.3\%$ of reading ± 1 RPM ± 30 RPM	1 RPM
CONTACT TACHOMETRY			
RPM, m/min, ft/min, in/min and m/s	from 30 to 20000 RPMn	$\pm 1\%$ of reading ± 1 RPM	1 RPM

*All accuracies indicated in this document were stated in laboratory conditions and can be guaranteed for measurements carried out in the same conditions, or carried out with required compensation.

Working principle

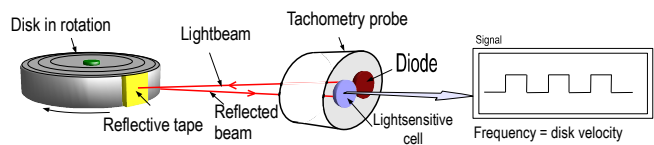
Contact tachometry

A light beam from a diode is reflected by a rotating mirror located inside the probe head. A light sensitive cell detects the frequency of the signal of the beam which is proportional to the rotation speed.

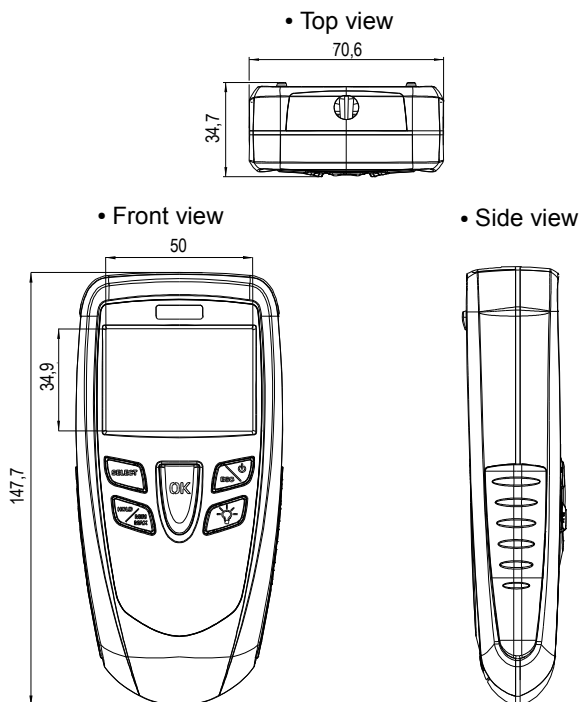


Optical tachometry

A light beam emitted from the diode the probe is reflected by a reflective tape placed on the rotating disk. A light sensitive cell detects the frequency of the signal of the beam which is proportional to the rotation speed.



Dimensions



Supplied with ...

- Included
- Optional



DESCRIPTION	CT 100 O	CT 100 C
Optical tachometry probe Ø 17 mm, length 195 mm	●	●
Contact adaptor fitting optical tachometry probe	○	●
Reflective tape	●	●
Calibration certificate*	●	●
Transport case	●	●

*except class CT100S

Accessories (See related datasheet)

CE 100

Protective cover with magnet and holding system

Warranty period

Instruments have 1-year guarantee for any manufacturing defect (return to our After-Sales Service required for appraisal).