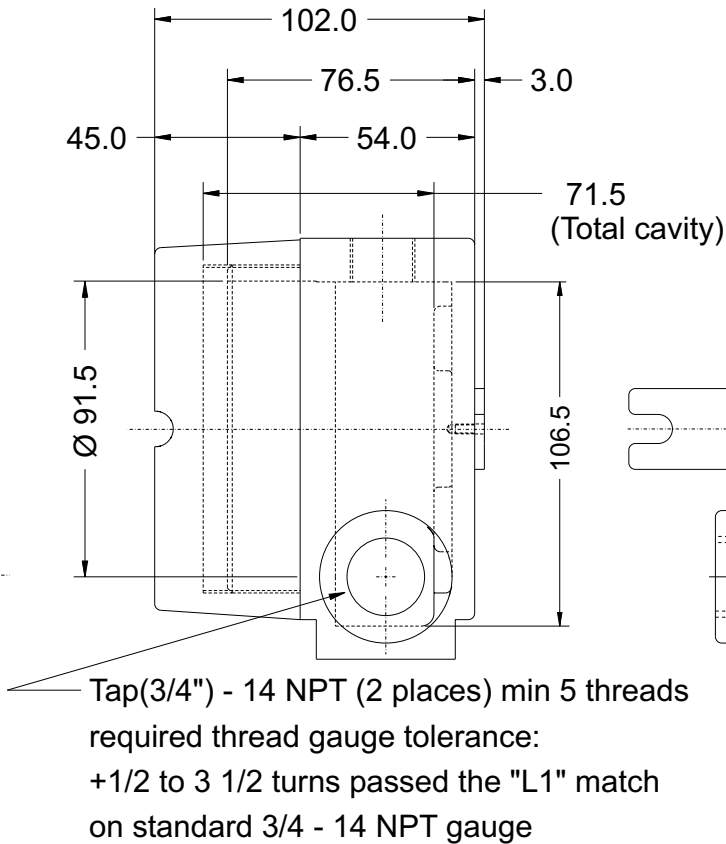
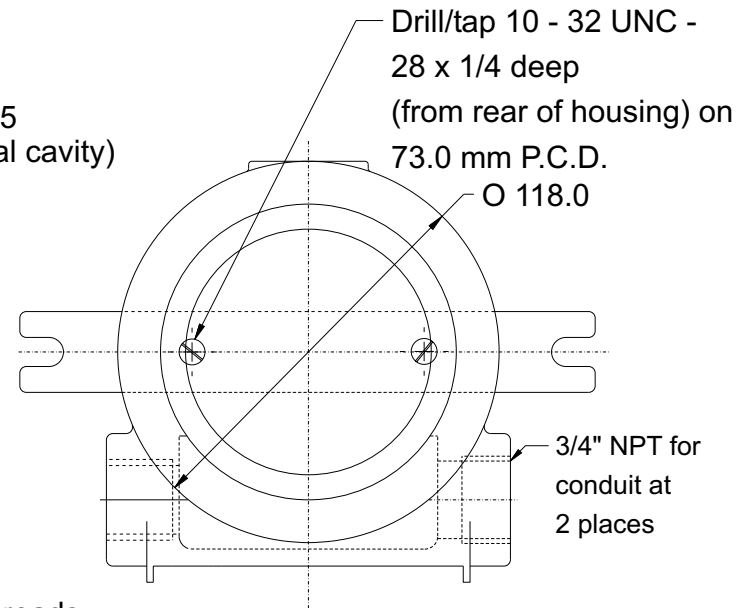


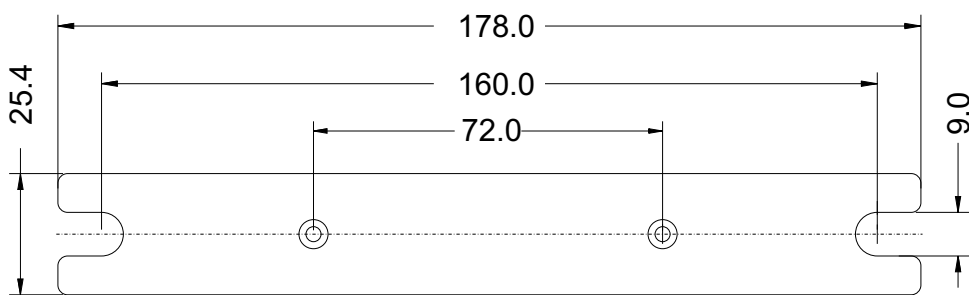
**INSIDE VIEW
(COVER REMOVED)**



SIDE VIEW



REAR VIEW



MOUNTING STRAP

Note : Original dimensions in inches are converted to mm

Explosion proof enclosure shown here is standard of Akron Electric, Inc. USA. However other enclosures can be used by customer if the inside dimensions match.

Details of Akron Electric, Inc. - USA in case of direct purchase by customer :

Specifications of Explosion Proof Enclosure (Box) :

P/N XJIHS05-CEN-E1 with 1/2" BSP (Parallel) threads on top for inlet & 3/4" - 14 NPT at 2 places for conduit outlets.

CEN : Cenelec approval
E1 : Exterior powder coating (cloud grey)
Drawing # : 12143 Rev. A

Address :

Sales Manager
Akron Electric, Inc.
1025 Eagon Street,
Barberton, Ohio 44203.

U.S.A.

Phone # : 800.275.2535
Fax # : 330.745.2504
Email : mpiecuch@akronelectric.com
Website : www.akronelectric.com