

# SMALL CONVOLUTED DIAPHRAGM INSTRUMENTS (300 DGC)

---

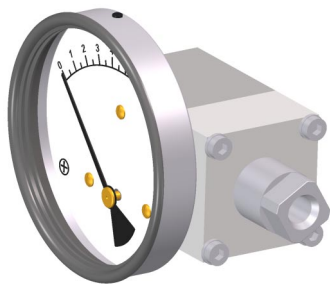
These instruments work on magnetic coupling principle and have small convoluted diaphragm sensor. They are used to measure low to medium differential pressure for liquids & gases where no migration of media is tolerated.

## Specifications:

Body materials	Aluminium, Brass and SS 316
Switches	Up to 2 field adjustable SPST / SPDT reed switches
Protection	Gauge and switch - IP 65
Accuracy	±2% Ascending
Working pressure	Up to 100 bar / 1500 psi
Working temperature	80° C / 175° F Max.
Differential	0.075 to 4 bar / 1 to 60 psi
Seals	Buna-N, Viton
Porting	¼" NPT(F) In-line, back or bottom, ¼" BSP(F) (on request)

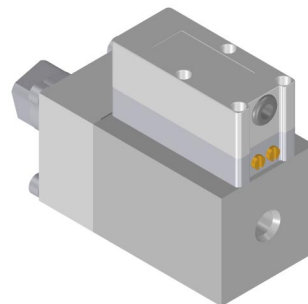
## Gauge

---



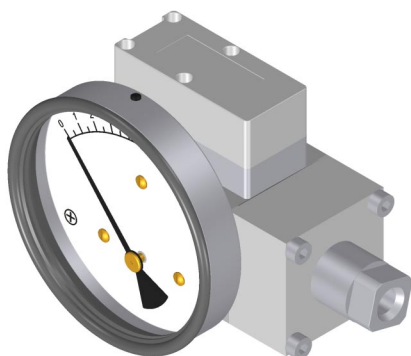
## Switch

---



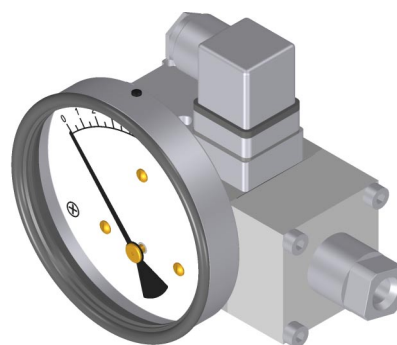
## Gauge+switch (with a terminal strip inside)

---



## Gauge+switch (with a DIN plug)

---



*For selection please refer to small convoluted diaphragm instrument (300 DGC) catalogue.*