

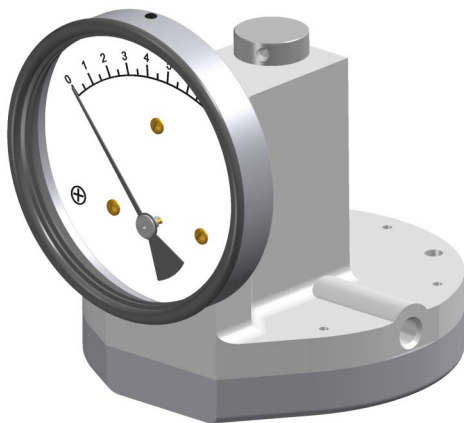
LARGE CONVOLUTED DIAPHRAGM INSTRUMENTS (200 DGC)

These instruments work on magnetic coupling principle. They have a very sensitive large convoluted diaphragm sensor. They are used to measure very low differential pressure for liquids & gases where no migration of media is tolerated.

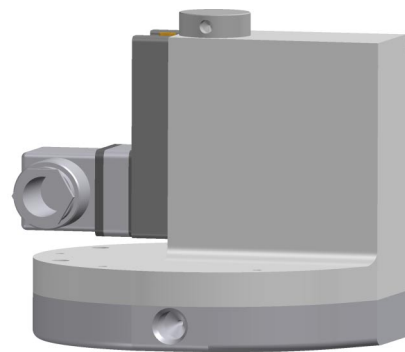
Specifications:

Body materials	Aluminium cast
Switches	Up to 2 field adjustable SPST / SPDT reed switches
Protection	Gauge and switch - IP 65
Accuracy	±2% Ascending
Working pressure	Up to 3 bar & 35 bar / 40 psi to 500 psi
Working temperature	80° C / 175° F Max.
Differential	50 to 600 mm H ₂ O / 2 to 25 IN. H ₂ O
Seals	Buna-N, Viton
Porting	1/8" BSP(F) or NPT(F) In-line

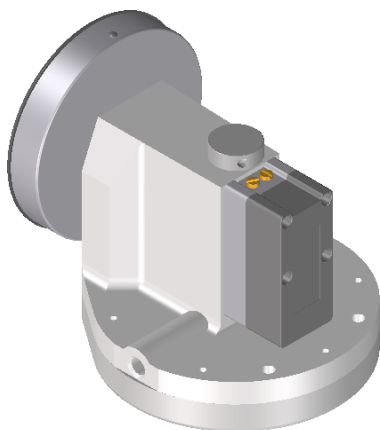
Gauge



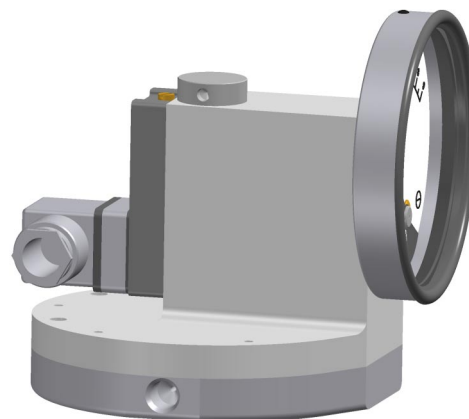
Switch



Gauge+switch (with a terminal strip inside)



Gauge+switch (with DIN plug at back)



For selection please refer to large convoluted diaphragm instrument (200 DGC) catalogue.